

# BUFFALO

FLF 6,000/500/500; ARFF Vehicle



## Airport Fire Department Hof-Plauen, Germany



### Base specification

#### Chassis

- › Type: MB 2733A/6x6 Zetros
- › Engine output: 240 kW /326 HP
- › Transmission: ALLISON Automatic
- › Wheelbase: 4,800 mm

#### Driving compartment

- › Crew: 1 + 1
- › Driver's cab: Original MB

#### Vehicle body

- › Modular body concept consisting of laser-cut, bent aluminum sheets. The entire body module is mounted on a bolted subframe.

#### Extinguishing agent tanks

- › Water tank: 6,000 l
- › Foam tank: 500 l
- › DCP container: 500 kg

#### Extinguishing system

- › Type: Rosenbauer N35, one stage normal pressure pump, light alloy
- › Output normal pressure: 3,000 l/min at 10 bar
- › Pressure governor

#### Proportioning system

- › Type: Rosenbauer FIXMIX
- › Automatic foam premixing system
- › Proportion ratios: 1%; 3% and 6%

#### Roof turret

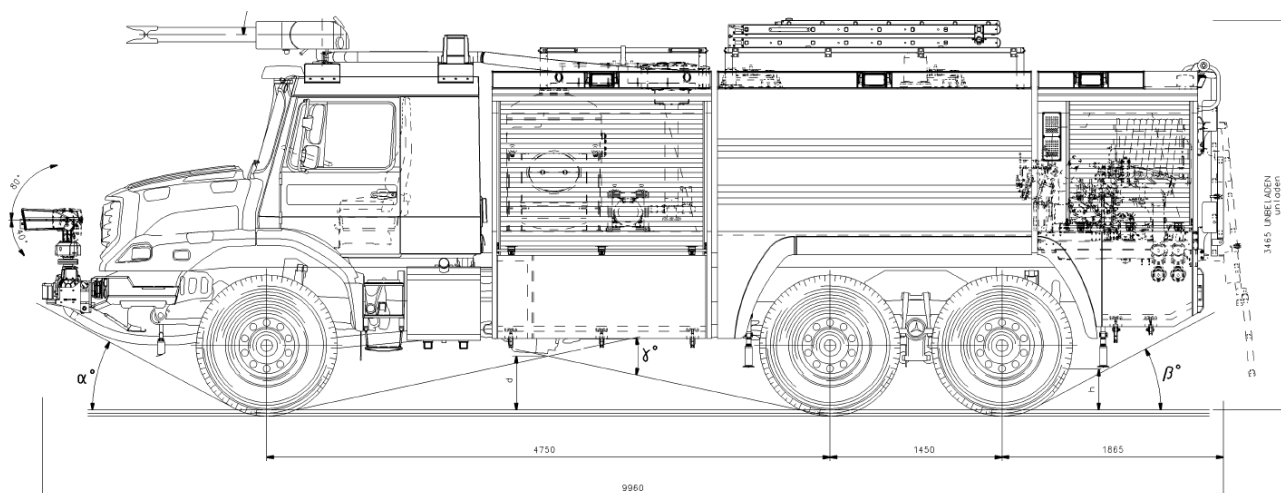
- › Type: Rosenbauer RM25C
- › Output: max. 2,500 l/min at 10 bar

#### Bumper turret

- › Type: Rosenbauer RM15C
- › Output: max. 1,600 l/min at 10 bar
- › ChemCore nozzle

# BUFFALO

FLF 6,000/500/500; ARFF Vehicle



## Additional features

- › Rapid intervention hose reel normal pressure with Rosenbauer NEPIRO
- › Dry chemical powder unit Minimax 500 kg with Fire CAN
- › Dry chemical powder rapid intervention with foldable hoses
- › Winch Warn Series 9 4,100 kg
- › Alarm start button
- › Under truck illumination
- › Air traffic warning lights
- › Light mast FLEXILIGHT LED with 8x 52 W LED floodlights
- › Hygiene board

## Dimensions and weight

L x W x H	9,950 x 2,500 x 3,500 mm
Permissible total weight	25,000 kg

X2W0057

## Contact

Rosenbauer International Aktiengesellschaft  
Paschinger Straße 90  
4060 Leonding, Austria  
Tel.: +43 732 6794-0  
Fax: +43 732 6794-83

[www.rosenbauer.com](http://www.rosenbauer.com)

 [www.facebook.com/rosenbauergroup](https://www.facebook.com/rosenbauergroup)

Text and illustrations are not binding. The illustrations may show optional extras only available at extra charge. Rosenbauer reserves the right to alter specifications and dimensions given herein without prior notice.

V.1\_DaHo\_2018-01-22