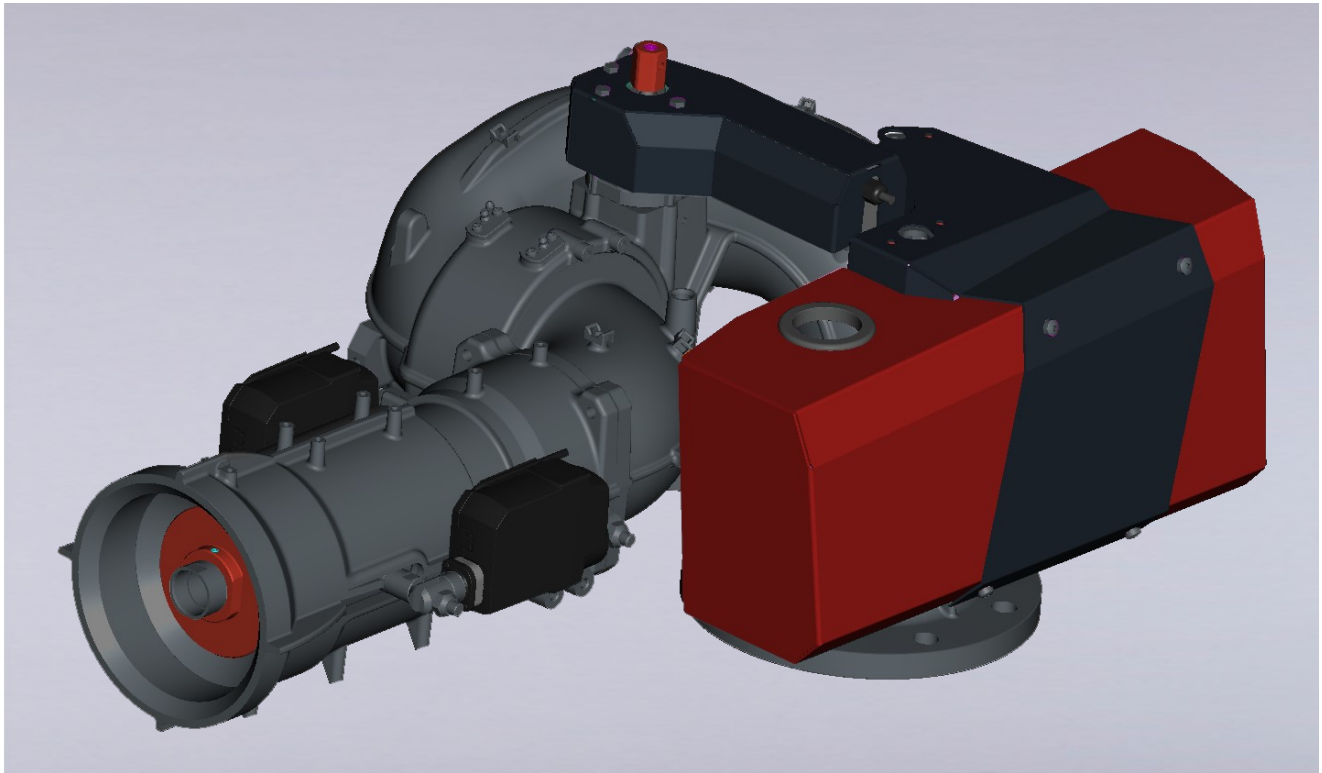


RPC Turret RM80C

Turret for Fixed Fire-fighting Systems



Description

The RPC Turret RM80C is an electronically controlled turret for protecting storage areas, airplane hangars, helicopter landing sites etc. The turret is available as a water or foam monitor, as a dry powder monitor, or combined foam/dry powder monitor (ChemCore).

Advantages

High flow rates

- Water or water-foam compound mixture:
Up to 9,500 l/min at 10 bar
[2,500 gpm at 145 psi]
- Dry powder:
up to 60 kg/s at 14 bar
[up to 132 lbs/s at 200 psi]
- ChemCore nozzle:
up to 9,500 l/min at 14 bar water and 15 kg/s dry powder
[up to 2,500 gpm at 200 psi water and 33 lbs/s dry powder]

Suitable for various extinguishing agents

- Water
- CAFS (compressed air foam)
- Foam (with/without foam barrel)
- Dry powder
- Water and dry powder combined (ChemCore)

Turret control

- Automatic control via infrared system
- Manual control: easy & intuitive
 - Portable joystick remote control with for operating up to six turrets
 - Tablet remote control device: Control of the turret functions occurs via a portable tablet PC with user-friendly interface

Automatic control

- By linking with an IR temperature monitoring system, the turret can be automatically directed at the seat of the fire and extinguish with pinpoint precision.

Oscillating function

- The turret traces a rectangle, the size and position of which are freely definable, and enables as a result fully automatic operation for extensive extinguishing.

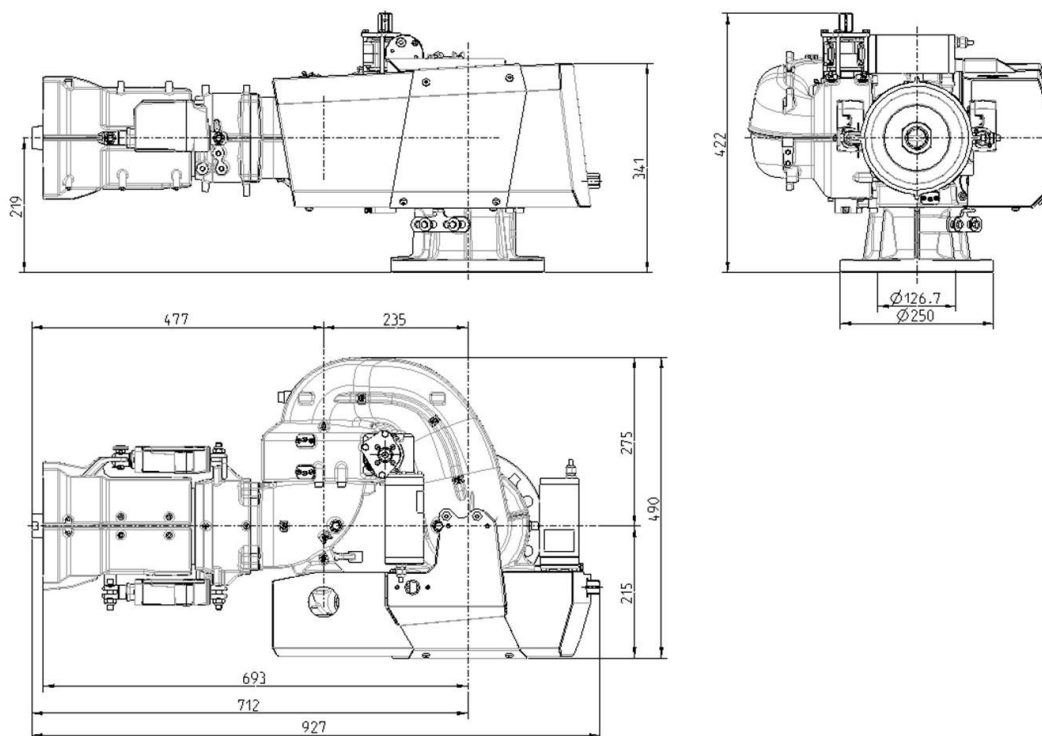
RPC Turret RM80C

Turret for Fixed Fire-fighting Systems



Technical data

Drive	Electric motors (12 V / 24 V)
Material	Corrosion-resistant alloy, dark gray, HC-coated
Rotation range	Max. 360° (-180° / +180°)
Swivel range	Max. -90° to +90° (without design cover)
Connection	Flange DN125, vertical
Nozzle	HSD9000: O-stream nozzle, maximum flow 9,500 l/min at 10 bar (2,500 gpm at 145 psi)
Jet adjustment	Electrical adjustment for full/spray jet (four levels)
Dry powder nozzle	Optional, maximum output 60 kg/s (132 lbs/s)
ChemCore nozzle	Optional, integrated combined water/dry powder O-stream nozzle maximum 9,500 l/min water (2,500 gpm) and 15 kg/s (33 lbs/s) powder
Control system	Electronic control via CAN-bus 2.0
Path measurement	Mechanical rotary encoder
Dimensions	LxWxH: 927 x 490 x 422 mm (26.5 x 19.3 x 16.6 in)
Weight	Approx. 62 kg (136 lbs)
Operating temperature	-20°C to +70°C (-4°F to 158°F)



Contact

Rosenbauer International AG
 Paschinger Strasse 90
 4060 Leonding, Austria
 Tel.: +43 732 6794-0
 Fax: +43 732 6794-91
 E-Mail: stationary@rosenbauer.com

www.rosenbauer.com

Follow us on

Text and illustrations are non-binding. The images and descriptions may show special designs, which are deliverable against additional cost. Rights reserved for amendments owing to technical advancements. RPC Turret RM80C_en_2020/10