

# RM24

## Manually controlled turret - MY13



### Description

The turret RM24 is a compact, manual turret for a varied field of applications. It is suitable for most different vehicle types as a roof turret. In addition, it can be positioned also independently from the vehicle with a separate carrying-frame. It can be optionally equipped with a self-educing nozzle.

### Benefits

#### Flow rate

- 3.000 l/min at 10 bar (800 gal/min at 150 psi) water or water-/foam
- 40 kg/s (88 lbs/sec) powder

#### Suitable for most extinguishing agents

- water
- water-foam mixture (non air aspirated)
- CAFS
- foam, with foam barrel (air aspirated)
- powder

#### Excellent throw range

- 80 m (260 ft) water

#### Excellent foam quality

- throw range 50 m (165 ft)

#### Simple operation

- ergonomic, fully adjustable handle
- separate locking for swivel and rotation

#### Disconnecting mechanism

- Extremely flat roof anchorage for low height entries to fire stations through an disconnecting mechanism
- capability of using the turret on roof or on separate carrying-frame

#### O-stream nozzle

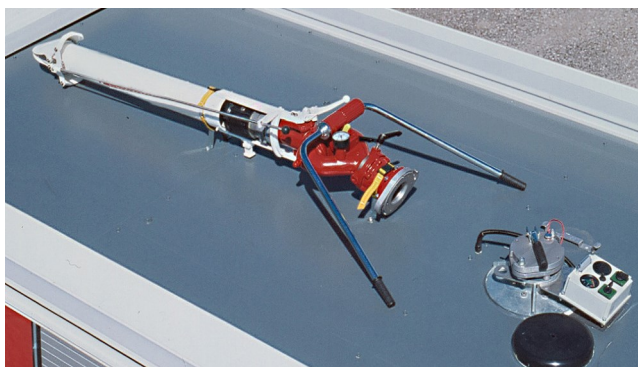
- O-stream nozzle with manual infinite spray adjustment
- Infinite adjustable six setting flow rate adjustment

#### Self-educing o-stream nozzle

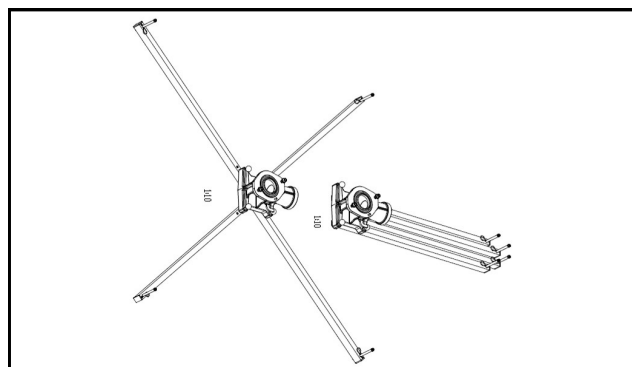
- Admixing rate 1% and 3%
- Flow rates manually adjustable
  - 1.600 / 1.200 / 800 l/min (420 / 315 / 210 gpm)
  - 2.400 / 2.000 / 1.600 l/min (630 / 525 / 410 gpm)

# RM24

## Manually controlled turret - MY13



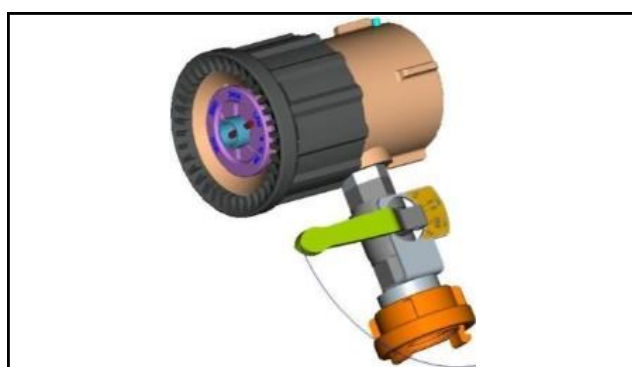
RM24 in transport position



Carrying-frame



RM24 in attack position



Self-educing nozzle with manual flow rate adjustment

### Technical data

<b>Drive</b>	manual, with locking
<b>Rotation range</b>	360° endless
<b>Swivel range</b>	max. -50° up to +80°
<b>Connection</b>	flange DN65, vertical
<b>Nozzle</b>	o-stream nozzle, maximum flow rate 3.000 l/min (800 gal/min)
<b>Nozzle self-educing</b>	o-stream nozzle self-educing, maximum flow rate 2.400 l/min (630 gal/min) or 1.600 l/min (420 gal/min)
<b>Nozzle adjustment</b>	manual infinite adjustment for full/spray jet
<b>Flow adjustment</b>	infinite adjustable six setting flow rate adjustment or three setting flow rate adjustment flow rates HSD 3000: 400 / 800 / 1.200 / 1.600 / 2.400 / 3.000 l/min flow rates HSD 2400 SE: 1.600 / 2.000 / 2.400 l/min flow rates HSD 1600 SE: 800 / 1.200 / 1.600 l/min
<b>Foam barrel</b>	optional, with integrated aspiration plates for improved foam quality
<b>Deflector</b>	optional, for adjusting the jet by using the foam barrel
<b>Dry chemical nozzle</b>	optional, max. flow rate 40 kg/s (88 lbs/sec)

### Contact

Rosenbauer International AG  
Paschinger Straße 90  
4060 Leonding, Austria  
Tel.: +43 732 6794-0  
Fax: +43 732 6794-91

[www.rosenbauer.com](http://www.rosenbauer.com)

[www.facebook.com/rosenbauergroup](https://www.facebook.com/rosenbauergroup)

Text and illustrations are not binding. The illustrations may show optional extras only available at extra charge. Rosenbauer retains the right to alter specifications and dimensions given herein without prior notice.

KR412  
2017-06\_RWeb