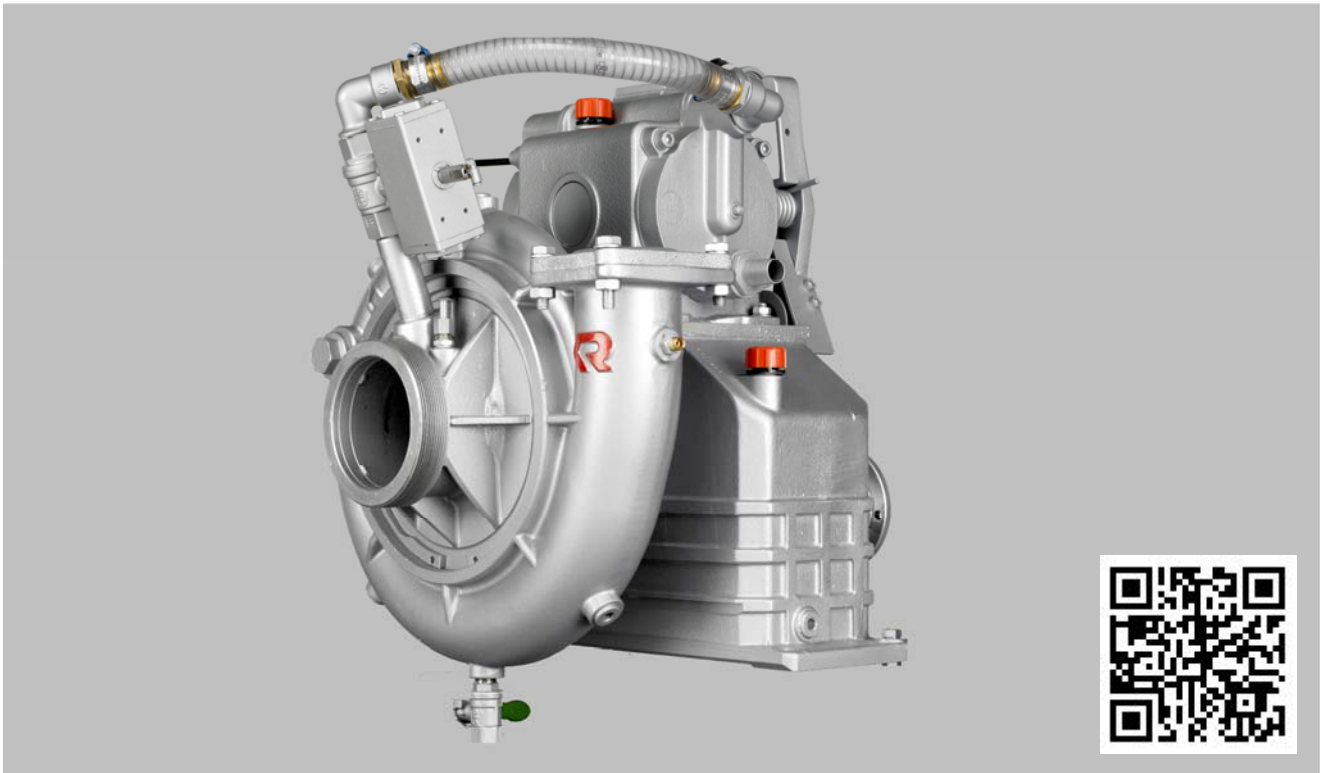


# N10

## Normal pressure pump



### Description

---

The 1-stage normal pressure pump impresses with its flat pump characteristics due to spiral housing and excellent efficiency.

Due to the various options, the pump can be configured according to the customer's wishes. Different materials (light alloy, gunmetal) are also available. The specific drive can be chosen as well as the operation - from mechanical to fully automatic pump.

### Benefits

---

#### High performance

- normal pressure output up to 1,800 lpm (475 USgpm) at 10 bar (150 psi)

#### Intuitive operation and highest operation comfort

- Rosenbauer LCS 2.0 (Logic Control System) with self explaining operation
- designation of the functions with colours and ergonomic handles, LED light behind each button
- arrangement of the screw down valves as low as possible (on the suction level height)

#### Low noise emissions

- pump mounting on special rubber elements

#### High efficiency

#### Marginal water hammer during opening and closing of outlets

- due to flat pump characteristic

#### Contamination insensitive

#### Different drive possibilities (acc. the requirements)

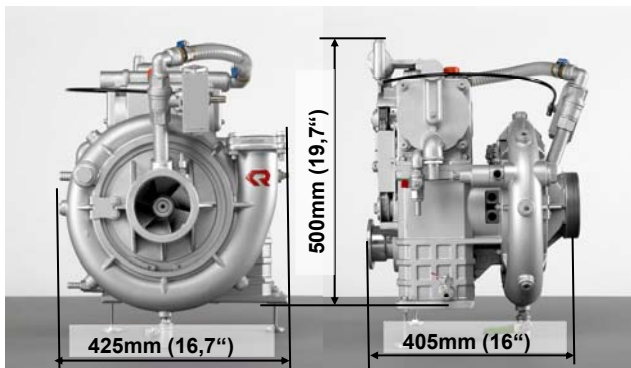
- drive via gear box (17 gear ratios) to adapt to different power take-offs (PTOs)
- drive via separate drive engine
- drive via Split Shaft gear box from the main vehicle drive shaft
- drive via hydraulics

#### Performance according EN 1028

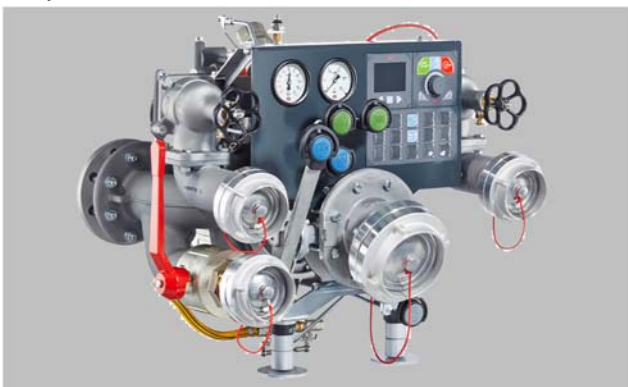
- FPN 10- 750
- FPN 10-1000
- FPN 10-1500

# N10

## Normal pressure pump



Easy to install due to minimal dimensions



N10 rear mount with LCS2.0 (Logic Control System) operation



Space-saving installation also in rear mount version e.g. in CL body

### Technical Data

<b>Pump configuration</b>	normal pressure pump
<b>Normal pressure</b>	1-stage centrifugal pump
<b>Performance normal pressure</b>	up to 1,800 lpm (475 USgpm) at 10 bar (150 psi)
<b>Material</b>	corrosion resistant light alloy - anodized (option: gunmetal), pump shaft made out of stainless steel
<b>Sealing</b>	maintenance-free mechanical sealing
<b>Priming pump</b>	double acting piston pump - driven via a belt from the pump shaft (can be engaged/ disengaged)
<b>Performance priming pump</b>	30% vacuum in 4 seconds (for 100 liters - 26.4 USgpm) * 70% vacuum in 17 seconds (for 100 liters - 26.4 USgpm) * maximum vacuum: 90%

\*) Volume of evacuation depending on the pump volume and volume of piping and suction hose(s)

### Contact

ROSENBAUER INTERNATIONAL AG  
Paschinger Straße 90  
4060 Leonding, Austria  
Tel.: +43 732 6794-0  
Fax: +43 732 6794-91

[www.rosenbauer.com](http://www.rosenbauer.com)

[www.facebook.com/rosenbauergroup](https://www.facebook.com/rosenbauergroup)

Text and illustrations are not binding. The illustrations may show optional extras only available at extra charge. Rosenbauer retains the right to alter specifications and dimensions given herein without prior notice.

KR292  
2016-12\_RJun