

# EPS XS

230V / 400V engine driven generator system



## Discription

With EPS XS it is possible for the first time to generate 3-phase alternating current with 400 V and single-phase alternating current with 230 V via a generator installed in the engine compartment.

## Advantages

### 400 V for the first time

- EPS XS is a vscf (variable speed, constant frequency) system, which delivers 3-phase 400V AC and 1 phase 230V
- Via the inverter and transformer, L1 / L2 / L3 / N / PE are available

### High electric power

- Short term peak power 3~ = 9 kW, 1~ = 3x 3 kW
- Continuous power 3~ = 7,5 kW,  
1~ = 3 x 2,5 kW or 1x 3,5 kW

*The peak power depends on the engine rpm*

### Installation in the engine compartment

- The generator of the EPS XS is installed directly in the engine compartment of the vehicle and driven via a belt
- The inverter and the switch can be flexibly positioned in the superstructure
- The position of the sockets can be freely selected depending on the equipment on the vehicle

### Controls

- Full integration of the generator into the LCS 2.0 display

### Proven technology

- The technology of EPS XS is equal to the EPS XL system. Thus, Rosenbauer is the only manufacturer which has years of experience in this technology

### Standard compliant

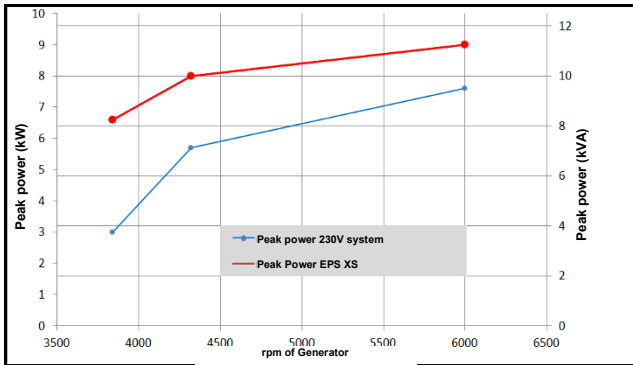
- The system complies with DIN 14687-2

### More space in the body

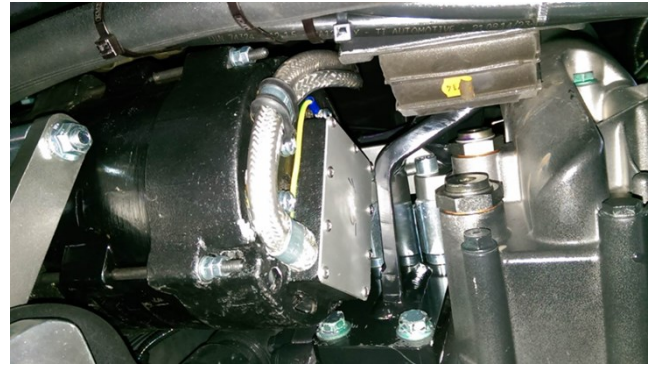
- The EPS XS is a system, which can also be used as a substitute for a mobile power generators under certain circumstances

# EPS XS

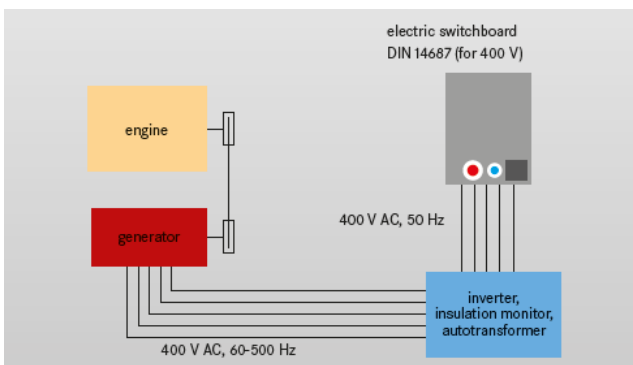
230V / 400V engine driven generator system



Power curve



Generator



System



Controls LCS 2.0

## Technical data

<b>Electric power</b> <i>(at generator rpm 6000 1/min)</i>	<ul style="list-style-type: none"><li>▪ Short term peak power Pel, 3~ = 9,0 kW, 1~ = 3x 3,0 kW</li><li>▪ Continuous power Pel, 3~ = 7,5 kW, 1~ = 3x 2,5 kW or 1x 3,5 kW</li></ul>
<b>Standard</b>	DIN 14687-2
<b>System components</b>	<ul style="list-style-type: none"><li>▪ Generator</li><li>▪ Inverter</li><li>▪ Switchbox</li><li>▪ Sockets</li></ul>
<b>Controls</b>	<ul style="list-style-type: none"><li>▪ Complete integration into Rosenbauer LCS 2.0 system</li><li>▪ Operation via display</li></ul>

## Contact

ROSENBAUER INTERNATIONAL AG  
Paschinger Straße 90  
4060 Leonding, Austria  
Tel.: +43 732 6794-0  
Fax: +43 732 6794-91

[www.rosenbauer.com](http://www.rosenbauer.com)

[www.facebook.com/rosenbauergroup](https://www.facebook.com/rosenbauergroup)

Text and illustrations are not binding. The illustrations may show optional extras only available at extra charge. Rosenbauer retains the right to alter specifications and dimensions given herein without prior notice.

PC387  
2017-05\_RWeb