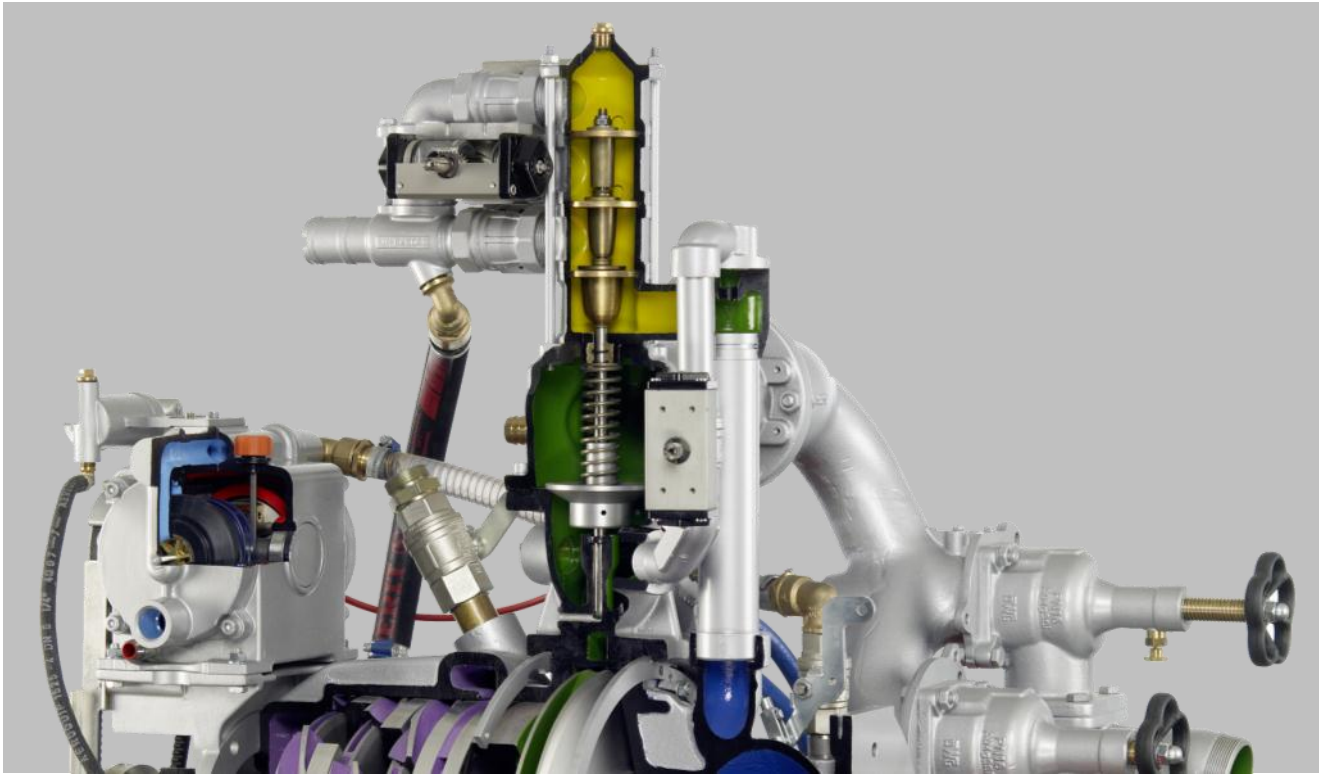


FIXMIX

Around-the-pump foam proportioning system



Description

The FIXMIX is an automatic around-the-pump foam proportioning system. It is specially designed for the N/NH series pump and can be fully integrated in these pumps.

Up to 3 proportioning rates are possible at this system. One proportioning rate on the high pressure side is possible with the HP-FIXMIX. Therefore it is possible to have water on the normal pressure side and a water-foam-mixture on the high pressure side at the same time.

It is mainly used for municipal trucks, as well as airport- and industrial trucks.

Benefits

Adjusted to the N/NH series pump

- integrated into the pump

Easy system

- mechanical system, mounted directly on the pump
- easy to operate

Automatic system

- amount of foam concentrate adjusts automatically to the water flow - constant proportioning rate over the whole working range of the pump

Maintenance-free

- wear-free
- due to robust mechanics

High foam performance

- due to around-the-pump foam proportioning system, foam on all outlets of the N/NH series pump available

High foam concentrate suction performance

Minimum pressure loss

Different proportioning rates can be chosen

- It can be switched between 3 different proportioning rates during operation.

FIXMIX

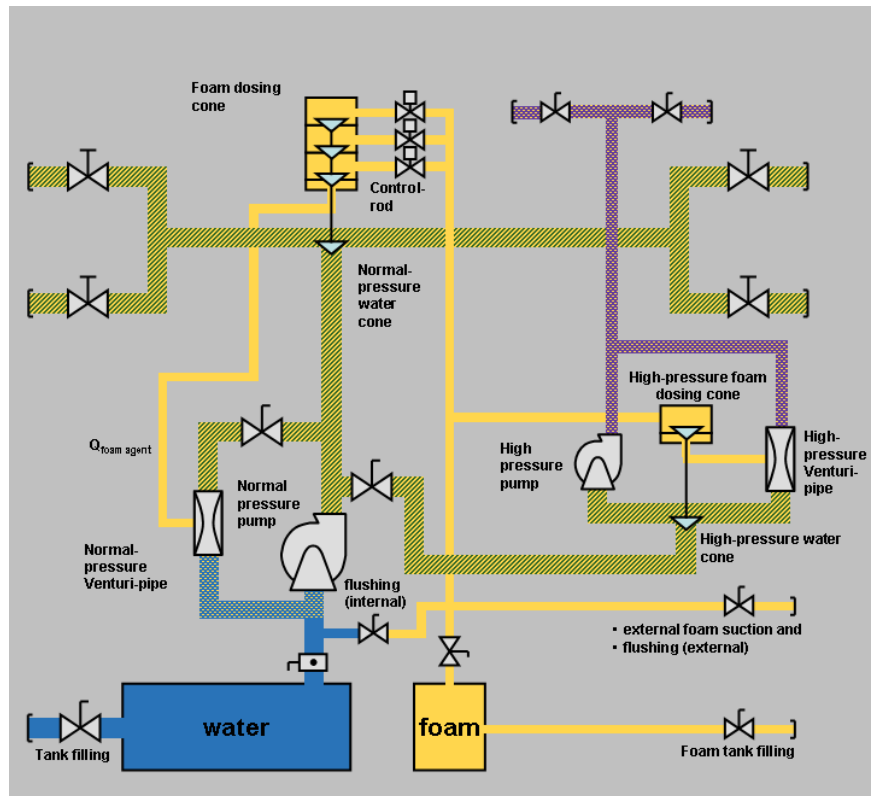
Around-the-pump foam proportioning system



3 – stage normal pressure FIXMIX



HP - FIXMIX



Schemata for a NH pump with 3 stage FIXMIX and HP-FIXMIX

Technical Data

Design	automatic around-the-pump foam proportioning system
Flow range	180 - 5.000 lpm (48 - 1.320 USgpm) (normal pressure - depends on pump), 90 - 400 lpm (24 - 105 USgpm) (high pressure)
Proportioning rates NP	up to 3 rates to chose (choice of: 0,5; 1; 3; 6%)
Switch proportioning rates NP	manual (1 proportioning rate) or pneumatic
Proportioning rate HP	1 rate (choice of: 0,5; 1; 3; 6%)
Flow measuring	mechanical water cone
Dosing	fully automatic, mechanical controlled foam dosing cones
Materials	housing in pump material (light alloy or gunmetal), measuring cones in brass
Usability	for foam concentrate up to a viscosity of 60 cSt (higher viscose foam concentrates on request)

NP: Normal pressure; HP: High pressure; FC: foam concentrate

Contact

ROSENBAUER INTERNATIONAL AG
Paschinger Straße 90
4060 Leonding, Austria
Tel.: +43 732 6794-0
Fax: +43 732 6794-91

www.rosenbauer.com

www.facebook.com/rosenbauergroup

Text and illustrations are not binding. The illustrations may show optional extras only available at extra charge. Rosenbauer retains the right to alter specifications and dimensions given herein without prior notice.

KR3XX
2015-01_RJun