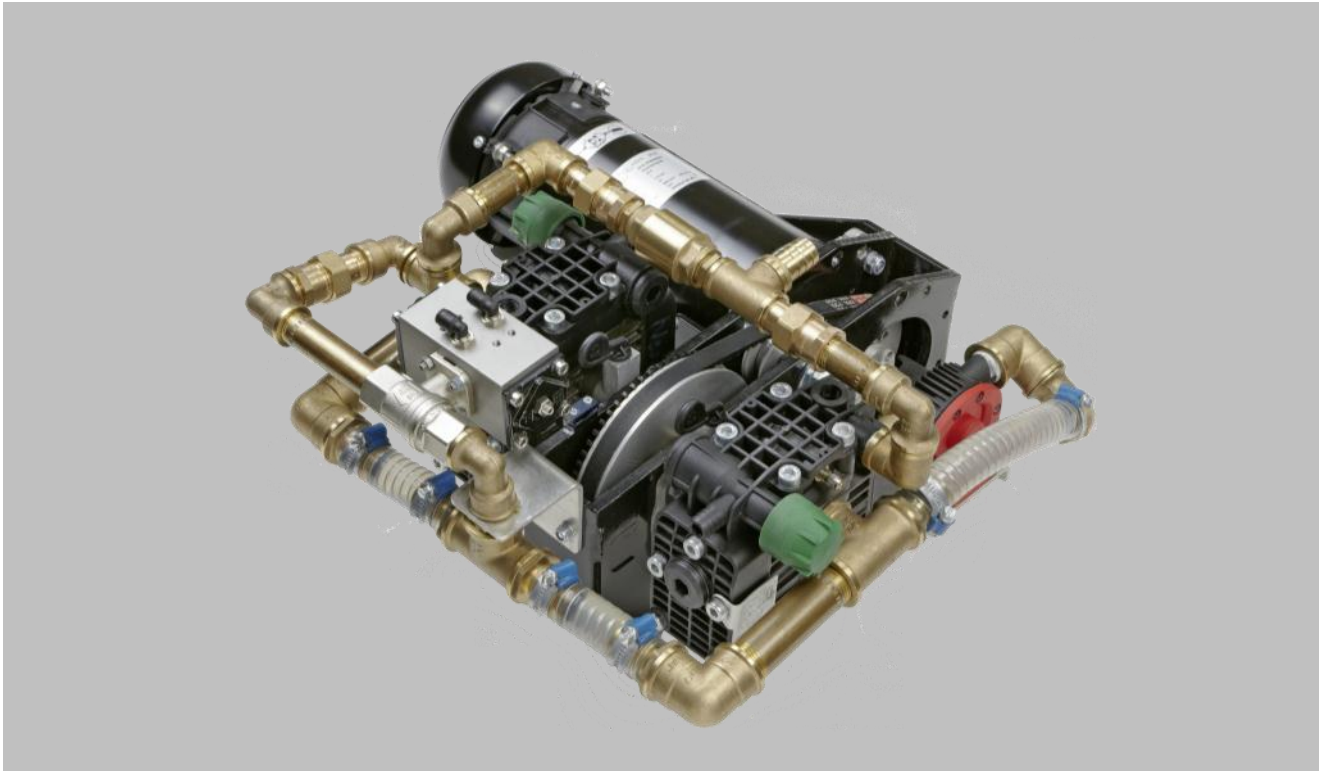


DIGIMATIC22

Direct injection foam proportioning system



Description

The DIGIMATIC22 is an electrical driven, electronic controlled direct injection foam proportioning system. This system is specially designed for use of wetting agent due to the very small foam output. Precision and reliability together with high performance and easiest operation are the outstanding properties of this proportioning system.

Benefits

Universal deployable

- can be used for all kinds of foam concentrate
- stepless proportioning rate from 0,1% to 6%
- smallest possible flow rates from 0,1 lpm (0,03 US-gpm) to 22 lpm (5,81 USgpm)
- option: external foam suction
- option: foam tank filling

Easiest operation

- LCS2.0 - operation (Logic Control System) similar to the pump operation
- pre-defined proportioning rate per foam concentrate tank
- display of flows, operation time and safety information

Easy to maintain

- high operation safety due to robust pump

Injection of the foam concentrate directly on the pressure outlet after the water pump

External foam suction possible

Possibility to fill the foam concentrate tank

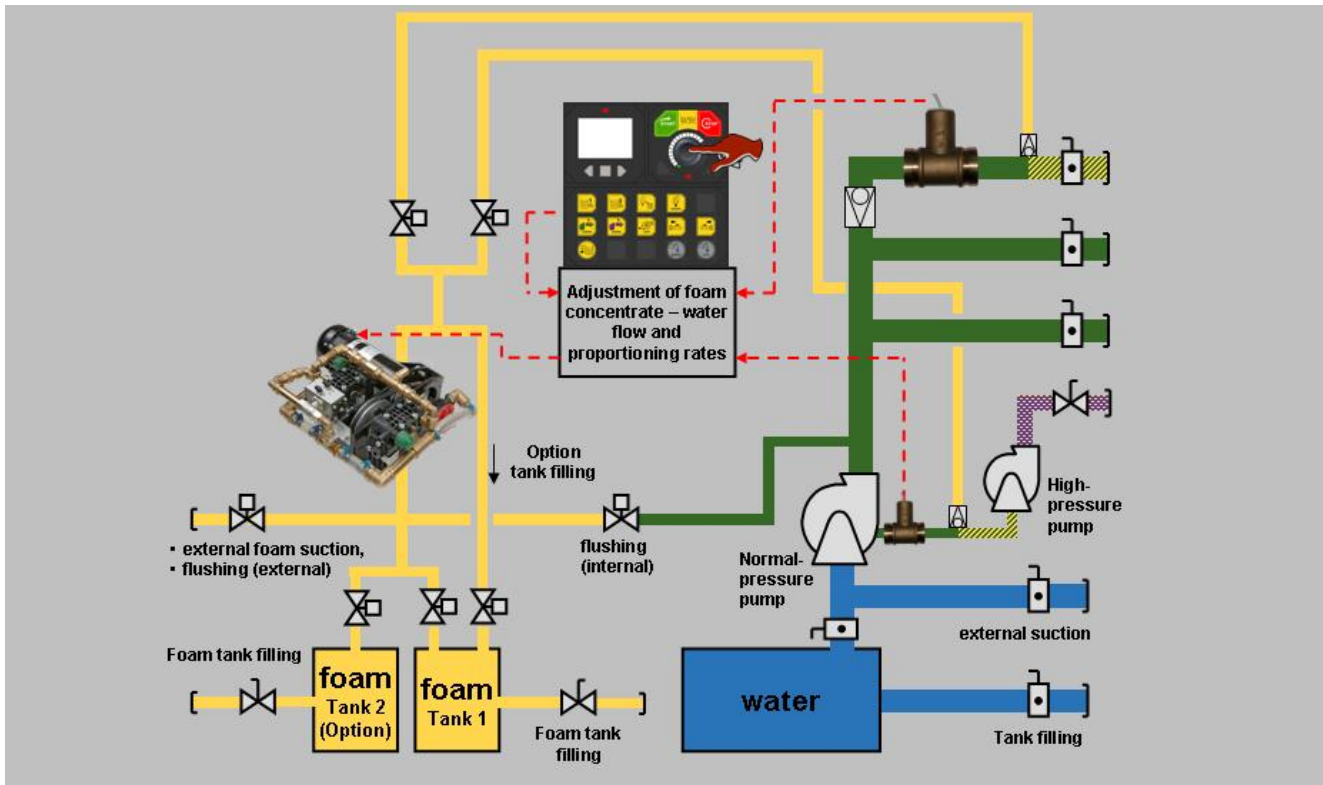
- no additional foam filling pump necessary

Options

- up to 2 foam tanks
- foam tank filling
- up to two injection points (alternatively)

DIGIMATIC22

Direct injection foam proportioning system



Flow diagram of DIGIMATIC22: either normal pressure version for 1-2 NP outlets, or injection in the connection line of NP and HP, also possible version with NP and HP

Technical Data

Design	electric driven and electronically controlled direct injection foam proportioning system
FC-pump	2 membrane pumps with inlet booster pump
Measurement range water	50 - 2.400 lpm (13 - 635 USgpm)
FC-supply	0,1 - 22 lpm (0,03 - 5,81 USgpm) at 10 bar (150 psi) (at a viscosity of 20cSt / 20°C)
Proportioning accuracy	up to 1% proportioning rate: +/- 20%; 1 to 3% proportioning rate: 0 to +30%
Proportioning rates	0,1 - 6% stepless (in consideration of the discharge flow)
Flow metering	with paddle wheel on the water side
Injection points	up to 2 injection points
Dosing	adjustment of the foam pump speed to water flow and foam proportioning rate
Materials	all parts that are in contact with foam concentrate are made non-corrosive
Usability	for foam concentrate up to a viscosity of 150 cSt (higher viscose foam concentrates on request)

NP: Normal pressure; HP: High pressure; FC: foam concentrate

Contact

Rosenbauer International AG
Paschinger Straße 90
4060 Leonding, Austria
Tel.: +43 732 6794-0
Fax: +43 732 6794-91

www.rosenbauer.com

www.facebook.com/rosenbauergroup

Text and illustrations are not binding. The illustrations may show optional extras only available at extra charge. Rosenbauer retains the right to alter specifications and dimensions given herein without prior notice.

PC3A1
2015-08_RJun