

ROSENBAUER L27-C

Turntable ladder



L27-C acc. to EN 14043 / A2U0121

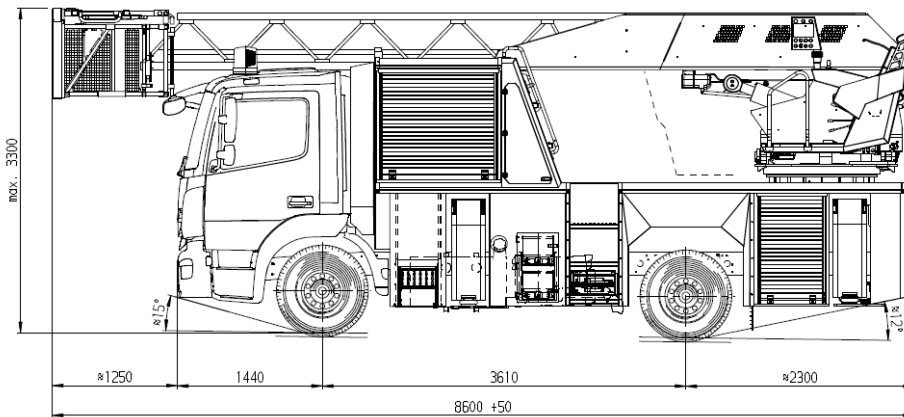


Technical Data

Chassis	Type	Mercedes-Benz
Chassis		Atego 1327
	Performance	272 hp (200 kW), Euro VI
	Gearbox	semi-automatic
	Drive/wheelbase	4x2, 3610 mm
	Tyres (front, rear)	285/70 R 19.5
	Suspension	front: leaf, rear: leaf
Cabin	Crew/type	1+2, standard, 180 mm prolonged, with notched roof
Bodywork	Type	aluminium safety bodywork HLM with integrated lighting with 5 locker rooms with roller shutters as well as 2 storage compartments with flaps, colour: RAL NFX 08008
Jacking system	Type	horizontal-vertical, infinitely variable
	Jacking width	min. 2,35* m, max. 4.65 m, *: depending on the empty weight of the vehicle
Main control panel	Type	main control panel „BASIC“ at the left side of the turning frame
Ladder set	Type	L27 (DLAK 18/12), fully automatic, 4 sections, powder-coated
	Height	working height: 27 m, cage floor height: 25,8 m
	Control system	CAN bus
	Weighing system	3D-load measuring system by means of load measuring bolts. Permanent measurement of loads and forces which act on the ladder set
	Lifting capacity	lifting eye at the base ladder section: up to 3 t, at the ladder tip: up to 600 kg
Rescue cage	Type	foldable rescue cage, capacity: 450 kg (4 persons)
	Accesses	4 accesses, thereof 3 at the front and 1 at the rear. 3 accesses are accessible in upright position (with BAs)
Water monitor	Type	RB monitor RM8, capacity: up to 2.000 l/min., manually controlled from the cage
Stretcher support	Type	360° rotatable, capacity: 250 kg, combi-type, i.e. also suitable for basket-type stretchers
Electrics	Power	power supply 230 V to the cage
	Generator	Portable, noise encapsulated generator, stowed at the turning frame
Weight	Max. permissible	total 13,5 t, thereof front axle: 4,7 t, thereof rear axle(s): 9,3 t
	Actual	12,5 t (empty, when delivered)
Dimensions	L x w x h	8570 mm x 2350 mm x 3270 mm

ROSENBAUER L27-C

Turntable ladder



Further Equipment

- colour display in the cabin
- 2 x back-up light LED at the mirrors
- LED lights at all jacks to illuminate the jacking area
- Ice claws for the ground plates of the jacks
- colour displays at the jack control panels
- 230 V feed-in socket for external power supply
- 2 LED-beacons on the cabin roof
- LED lights at the front
- LED lights at the rear
- traffic warning system at the turret with 2 yellow LED flasher
- reverse camera at the vehicle's rear, indication at the Rosenbauer display in the cabin
- electronic warning signal with public-address function
- back-up warning signal, audible, with switch-off function
- intercom system between main control panel and cage
- remote start/stop of the generator from the main control panel, the cage and the jack control panels
- locker room illumination with LEDs strips
- area illumination lights in acc. with EN1846T2, with LEDs
- running surface lighting , with LED strips
- Bodywork surface lighting , with LED
- chassis lights at the rear as LED version
- main control panel with adjustable seat heating
- 2 x adjustable LED lights at the sides of the base ladder section
- 1 x 24 V/120 W LED floodlight underneath the base ladder section
- automatic return of the ladder set to the ladder headrest
- TMS (Target-Memory-System)
- VRS (vertical-rescue-system)
- aluminium pipe in the upper ladder section, permanently mounted
- fixation for the cage for descending device (e.g. Rollgliss)
- 2 heavy-duty LED in the cage floor, shining to the front
- 2 x 230V/92 watt LED floodlights, each one on the left and right side of the cage
- 400 V emergency operation, driven by the generator



Contact

Rosenbauer Karlsruhe & Co. KG
Carl-Metz-Straße 9
76185 Karlsruhe, Germany
Tel.: +49 721 5965-0
Fax: +49 721 5965-238

www.rosenbauer.com

www.facebook.com/rosenbauergroup

The illustrations may show optional extras only available at extra charge.
Changes due to technical development reserved.

DS-L27-C-HLM-Alu-MB-1327-ATEGO-2axle-EuroVI-A2U0121-2016-09-20-EN